

M4 系列叶片马达 Series-vane Motor



型号说明/Model Designation

| M4C | 067 | -1 | N | 00 | A | 1 | 02 |
|---------------|------------------------|-----------------------------|-----------------------------|--------------------------|----------------------|------------------------------|--------------------------|
| 系列号 Series | 排量ml/r Displacement | 轴伸形式 Shaft type | 转向 Rotation | 油口位置 Port positions | 设计号 Design number | 密封等级 Sealing Level | 油口 Oil port |
| M4C | 024 (24.2) | 1-平键轴 Straight key shaft | N: 双向 N: Two-way | 见下图 See picture below | A | 1-丁腈橡胶 NBR Nitrile rubber | 见下图 See picture below |
| | 027 (28.2) | | | | | | |
| | 031 (34.5) | | | | | | |
| | 043 (46.5) | | | | | | |
| | 055 (58.8) | | | | | | |
| | 067 (71.1) | | | | | | |
| M4D | 062 (65.1) | 2-平键轴 Straight key shaft | A: 顺时针 A: Clockwise | 见下图 See picture below | A | 5-氟橡胶 Fluororubber | 见下图 See picture below |
| | 074 (76.8) | | | | | | |
| | 088 (91.1) | | | | | | |
| | 102 (105.5) | | | | | | |
| | 113 (116.7) | | | | | | |
| | 128 (132.4) | | | | | | |
| M4E | 138 (144.4) | 3-花键轴 Spline shaft | B: 逆时针 B: anti-clockwise | 见下图 See picture below | A | 5-氟橡胶 Fluororubber | 见下图 See picture below |
| | 153 (158.6) | | | | | | |
| | 185 (191.6) | | | | | | |
| | 214 (222.0) | | | | | | |

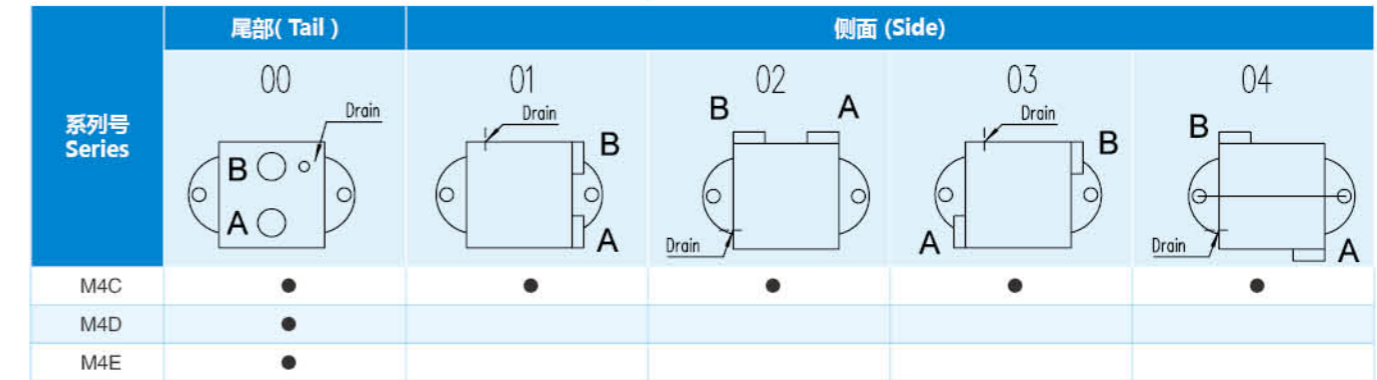
技术参数/Technical Data

| 型号 Model | 规格 Specification | 排量 Displacement ml/rev | 比扭矩 Torque Nm/bar | 100rpm 时的效率 Efficiency kW/bar | 最高压力 Max. pressure Mpa bar | 最高转速/Max. speed r/min | | |
|-------------|---------------------|------------------------------|-------------------------|--|-------------------------------------|-----------------------|-----------------------|----------------------------------|
| | | | | | | 额定压力/Rated pressure | | 低压 Minimum pressure rpm |
| | | | | | | 连续/Continuous rpm | 间歇/Temporarily rpm | |
| M4C | 024 | 24.4 | 0.390 | 0.0040 | 230 | 2500 | 3600 | 4000 (80bar) |
| | 027 | 28.2 | 0.450 | 0.0047 | | | | |
| | 031 | 34.5 | 0.550 | 0.0058 | | | | |
| | 043 | 46.5 | 0.740 | 0.0078 | | | | |
| | 055 | 58.8 | 0.930 | 0.0098 | | | | |
| | 067 | 71.1 | 1.130 | 0.0120 | | | | |
| M4D | 075 | 80.1 | 1.270 | 0.0130 | 230 | 2500 | 3000 | 4000 (80bar) |
| | 062 | 65.1 | 1.040 | 0.0110 | | | | |
| | 074 | 76.8 | 1.220 | 0.0130 | | | | |
| | 088 | 91.1 | 1.450 | 0.0150 | | | | |
| | 102 | 105.5 | 1.680 | 0.0180 | | | | |
| | 113 | 116.7 | 1.860 | 0.0200 | | | | |
| M4E | 128 | 132.4 | 2.110 | 0.0220 | 190 | 2500 | 3000 | 4000 (80bar) |
| | 138 | 144.4 | 2.300 | 0.0240 | | | | |
| | 153 | 158.5 | 2.520 | 0.0260 | | | | |
| | 185 | 191.6 | 3.050 | 0.0320 | | | | |
| | 214 | 222.0 | 3.530 | 0.0370 | 175 | 2500 | 3000 | 4000 (80bar) |

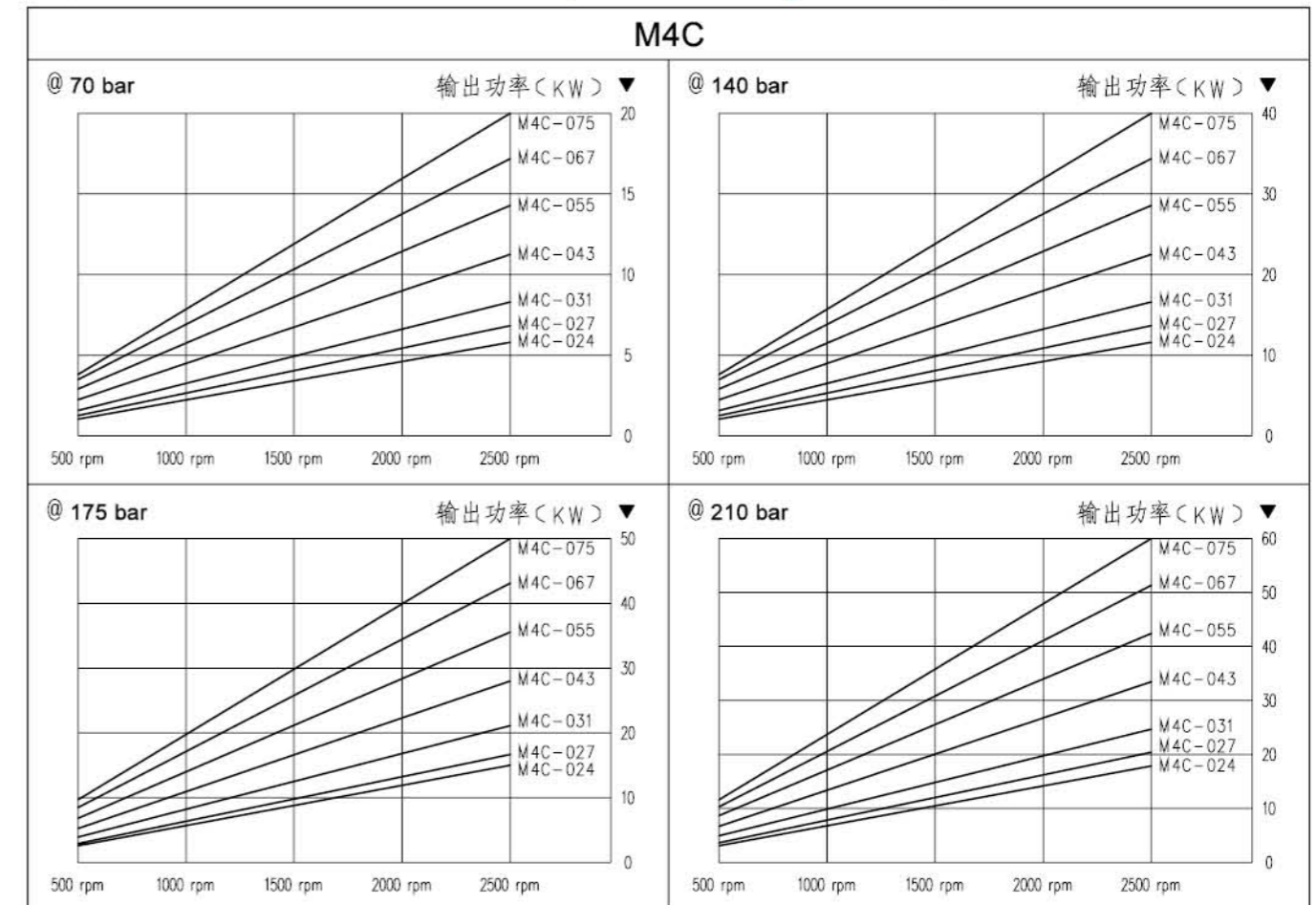
油口/Oil port

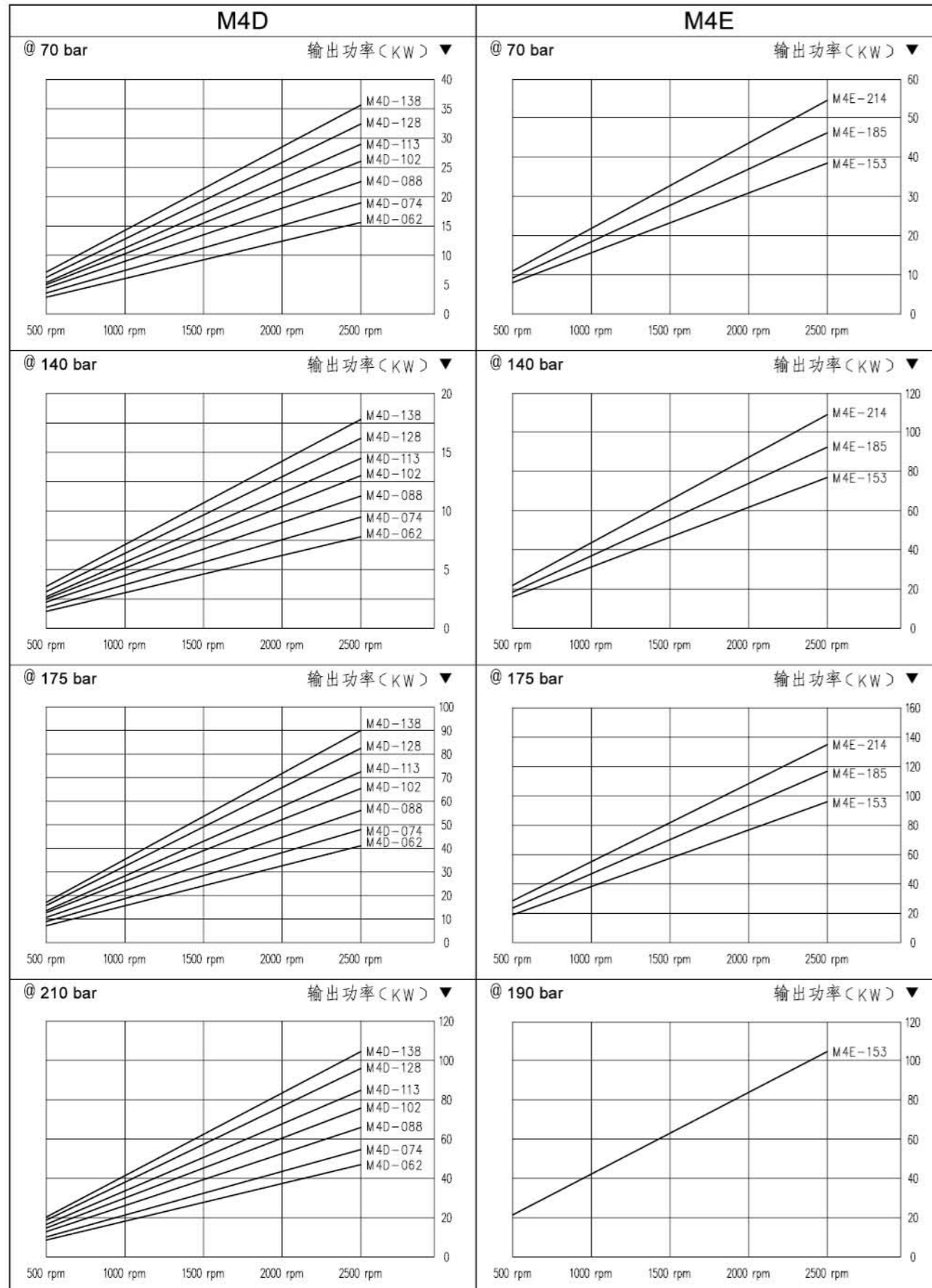
| | SAE螺纹油口 Threaded port | SAE 4螺栓(Bolt) | |
|----------------|--------------------------|---------------|----------------------|
| | | UNC | 公制螺纹 (Metric thread) |
| SAE泄油口(Drain) | 01 | 02 | - |
| BSPP泄油口(Drain) | - | 04 | M4 |
| M4C | ● | ● | ● |
| M4D | ● | ● | ● |
| M4E | ● | ● | - |

油口位置说明/Port location Description

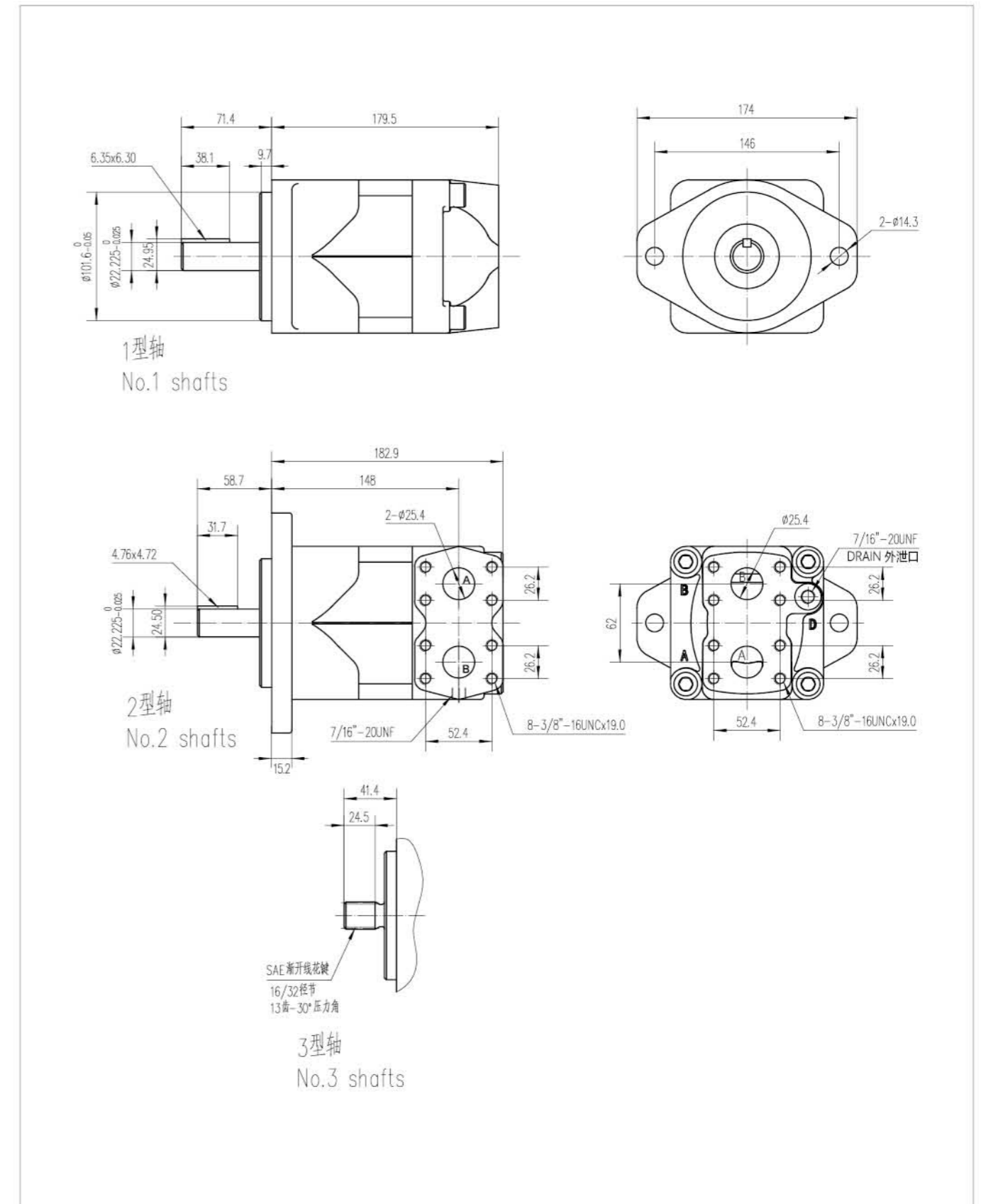


性能曲线/Characteristic curve (Oil viscosity 24 cSt)

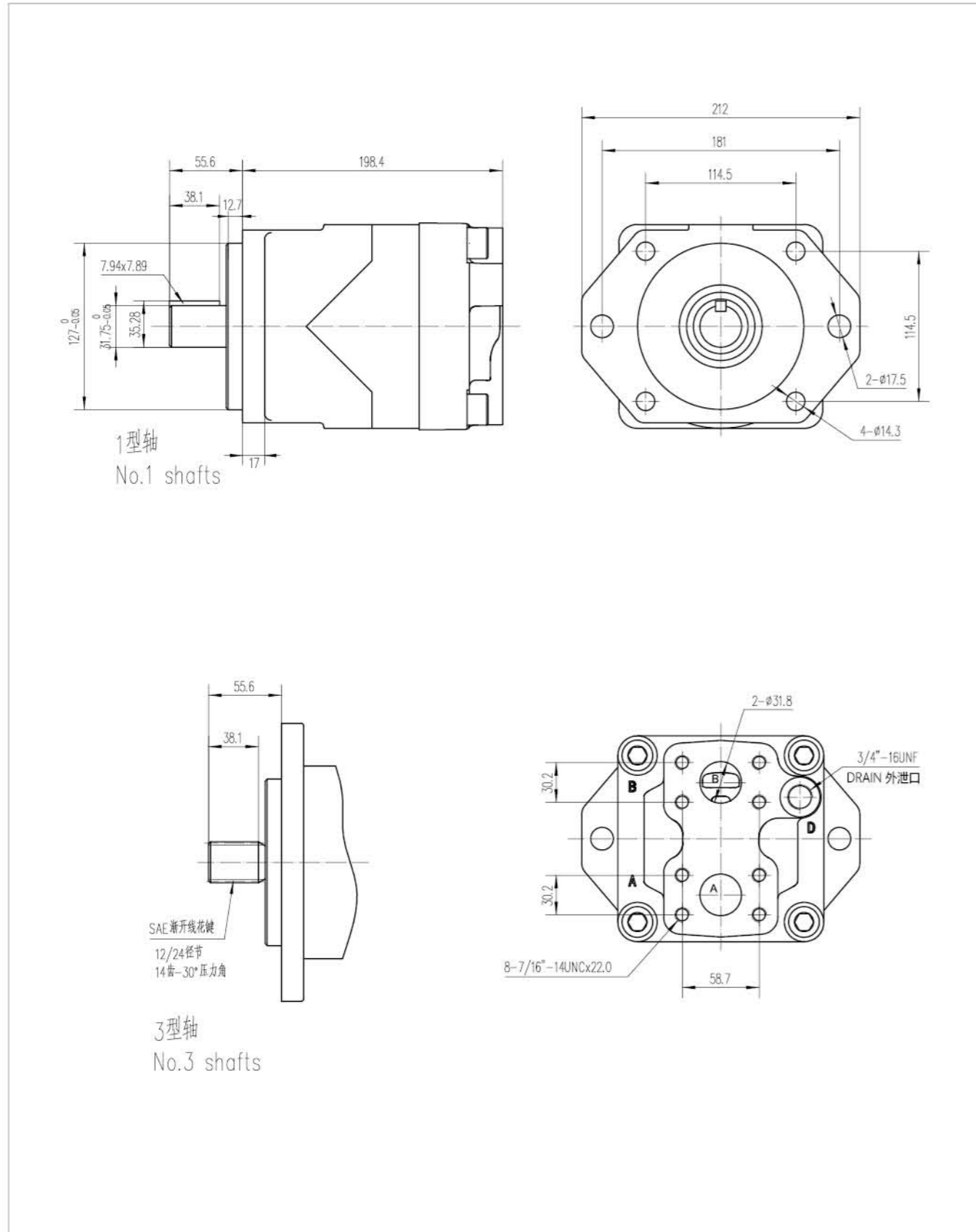




M4C安装连接尺寸/Installation Dimensions



M4D安装连接尺寸/Installation Dimensions



M4E安装连接尺寸/Installation Dimensions

