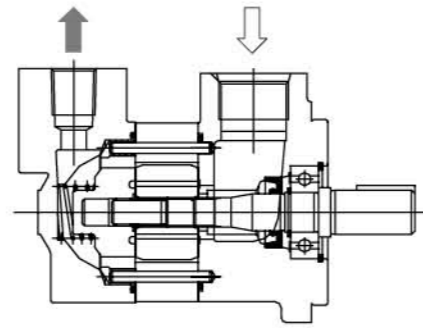
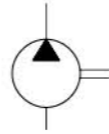


V10, 20 系列叶片泵 Series-vane Pumps



液压符号
Hydraulic Sign



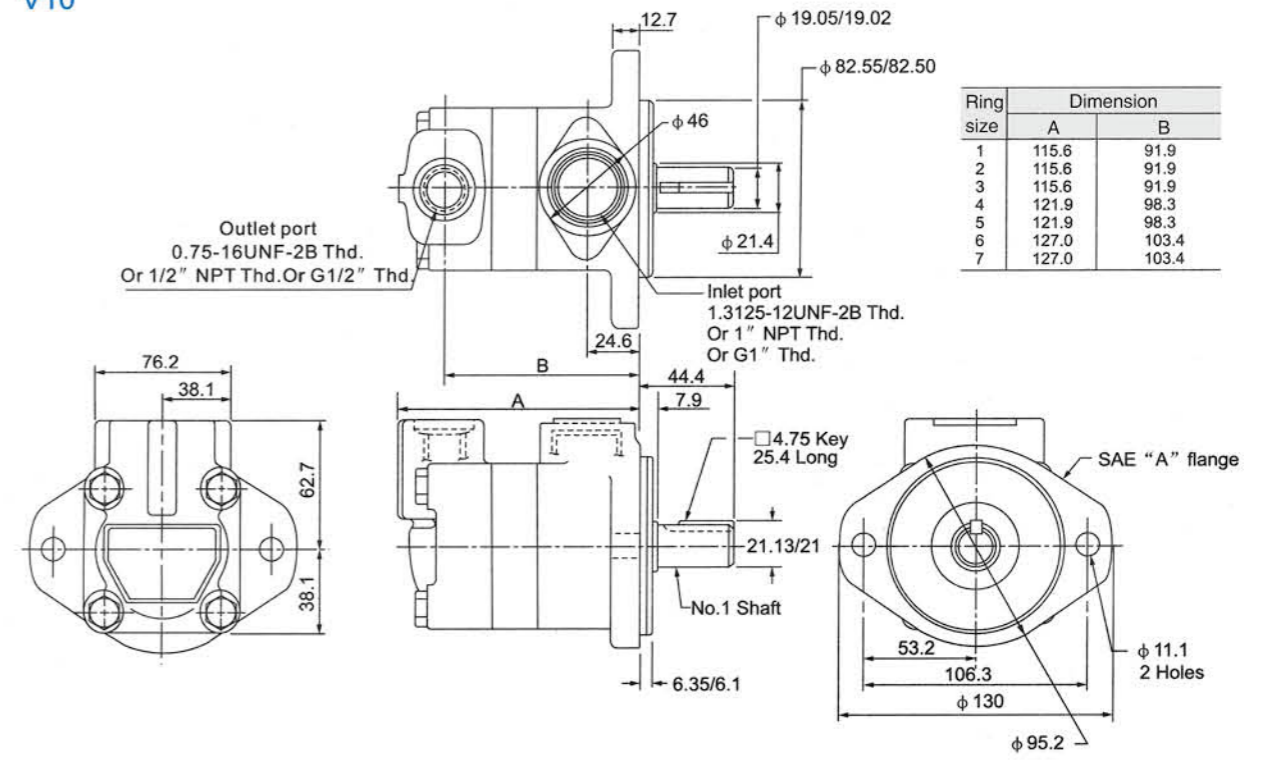
型号说明/Model Designation

(F3-)	V10	-P	7	S	-1	C	20	-L
前注 Note	系列号 Series	进油口连接 Inlet connection	排量代号 Displacement	出油口连接 Outlet connection	轴伸形式 Shaft type	出油口位置 Outlet positions	设计号 Design number	旋转方向 Rotation
无要求省略 Omit if not required	V10	P-1"NPT Thread S-1.3125-12 Straight B-G1" Thread	1, 2, 3, 4, 5, 6, 7	P-1/2"NPT Thread S-0.750-16 Str.Thread B-G1/2" Thread	1-平键轴 Str key 11-花键轴 Spline	(从泵的盖端看) (Viewed from cover end of pump) A-进油口对面 Opposite inlet B-从进油口逆时针90° 90° CCW from inlet C-进油口同侧 Inline with inlet D-从进油口顺时针90° 90° CW from inlet	20	(从泵的轴端看) (Viewed from shaft end of pump) R-顺时针旋转 right hand for clockwise L-逆时针旋转 left hand for counter- clockwise
F3-: 氟橡胶 Viton seals	V20	P-1-1/4"NPT Thread S-1.625-12 Straight B-G1-1/4" Thread	6, 7, 8, 9, 10, 11, 12, 13	P-3/4"NPT Thread S-1.0625-12 Straight R-1.1875-12 Straight B-G3/4"Thread	38-11teeth-3/4" outside spline shaft 62-spline shaft (only for V20)		10	

技术参数/Technical Data

系列号 series	排量代号 Displacement code	几何排量 Geometric displacement mL/r	使用普通液压油和磷酸酯液 With antiwear hydraulic oil or phosphate ester fluid		使用水乙二醇液 With water glycol fluid		使用油包水乳化液 With water-oil emulsions		
			最高压力 Mpa Max.pressure	最高转速 r/min Max.speed	最高压力 Mpa Max.pressure	最高转速 r/min Max.speed	最高压力 Mpa Max.pressure	最高转速 r/min Max.speed	
V10	1	3.3	17.2	4800	12.4	1800	10.3	1800	
	2	6.6							4500
	3	9.8							4000
	4	13.1							3400
	5	16.4							3200
	6	19.5							3000
V20	6	19.5	17.2	3400	12.4	1800	10.9	1800	
	7	22.8							3000
	8	26.5							2800
	9	29.7							2500
	10	30.0							2400
	11	36.4							2400
	12	39							2400
13	42.4	2400							

V10



V20

