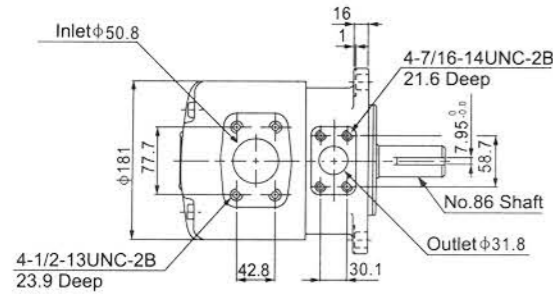
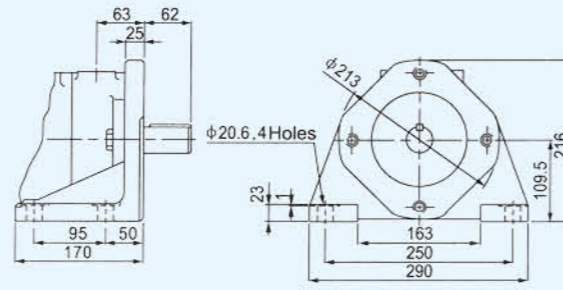


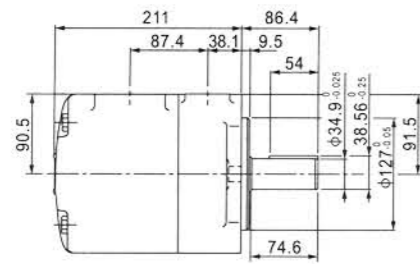
**SQP3 法兰安装尺寸**  
Flange Mounting



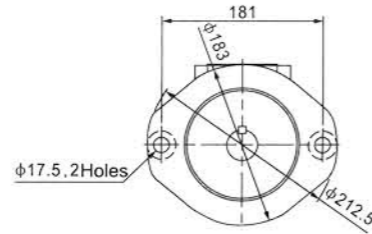
**SQP3 脚座安装尺寸**  
Foot Mounting



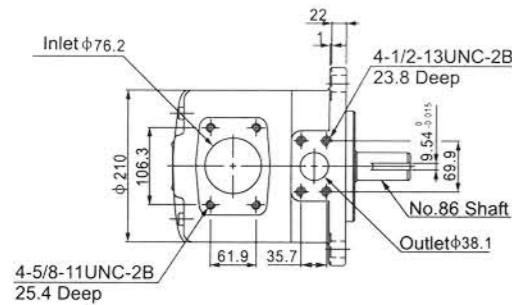
For other dimensions, refer to "Flange Mounting" type



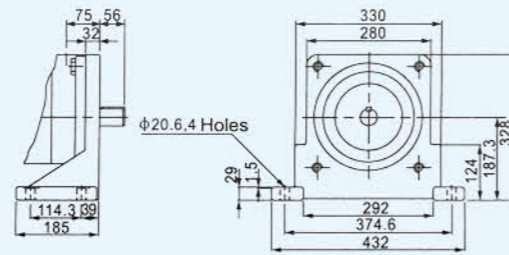
其它轴类尺寸见68页  
For other shaft dimensions, refer to page 68



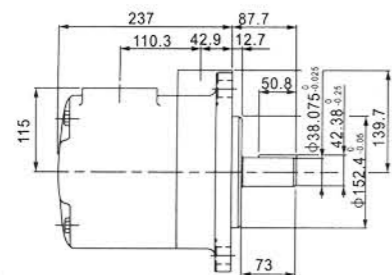
**SQP4 法兰安装尺寸**  
Flange Mounting



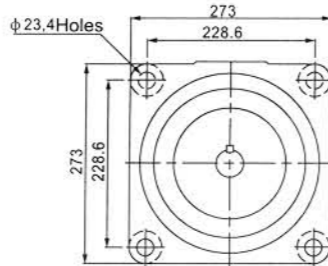
**SQP4 脚座安装尺寸**  
Foot Mounting



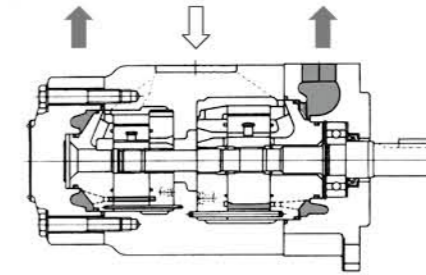
For other dimensions, refer to "Flange Mounting" type



其它轴类尺寸见68页  
For other shaft dimensions, refer to page 68



**SQP 系列双联泵**  
Series-double Pumps



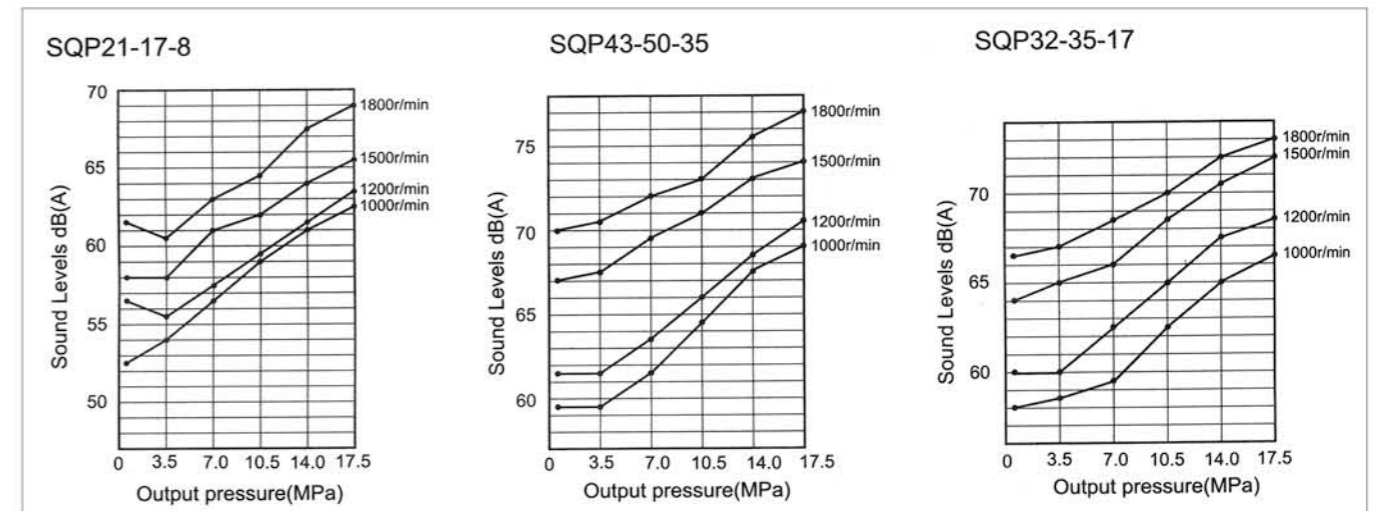
型号说明/Model Designation

(F3-)	SQP32	-35	-17	-86	CD	(F)	-(LH)	-18
前注、油液相溶性 Infuse front, oil intermiscibility	系列号 Series	▲排量代号轴端泵 Displacement code of shaft end pump	▲排量代号盖端泵 Displacement code of cover end pump	轴伸形式 Shaft type	油口位置 Port positions	安装形式 Installation type	旋转方向 Rotation	设计号 Design number
无标记- 抗磨液压油、 水-乙二醇液或 油包水乳化液 No-marking: Anti-wear hydraulic oil, Water glycol fluid or water-oil emulsions F3- 磷酸酯液 phosphate ester fluid	SQP21 SQP31 SQP32 SQP41 SQP42 SQP43	10, 12, 14, 15, 17, 19, 21, 25 21, 25, 30, 32, 35, 38, 45 21, 25, 30, 32, 35, 38, 45 42, 45, 50, 57, 60, 66, 75 42, 45, 50, 57, 60, 66, 75 42, 45, 50, 57, 60, 66, 75	2, 3, 4, 5, 6, 7, 8, 9, 10, 11, 12, 14 2, 3, 4, 5, 6, 7, 8, 9, 10, 11, 12, 14 10, 12, 14, 15, 17, 19, 21, 25 2, 3, 4, 5, 6, 7, 8, 9, 10, 11, 12, 14 10, 12, 14, 15, 17, 19, 21, 25 21, 25, 30, 32, 35, 38, 45	1-带键直轴 Belt key straight shaft 86-重型带键直轴 Heavy belt key straight shaft	见下表 See below	无标记 No-marking: 法兰安装型 Flange Mounting F- 脚座安装型 F-Foot Mounion	(从泵的轴端看) (Viewed from shaft end of pump) LH-逆时针旋转 Left hand for counter clockwise 无标记-顺时针旋转 No marking-Rihgt hand for clockwise	18

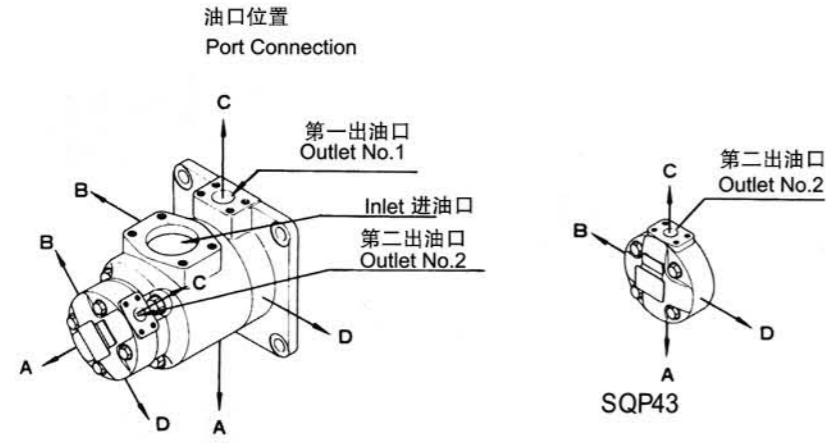
▲在1200r/min和0.69MPa(100psi)下的额定排量。  
USgpm Flow(USgpm) at 1200r/min and 0.69MPa.

噪音数据/Noise Data

测试条件ISO VG32, (50℃), 距离1m Test condition ISO VG32, (50℃), distance 1m



油口位置 (从泵的盖端看)  
Outlet Positions (Viewed from cover end of pump)



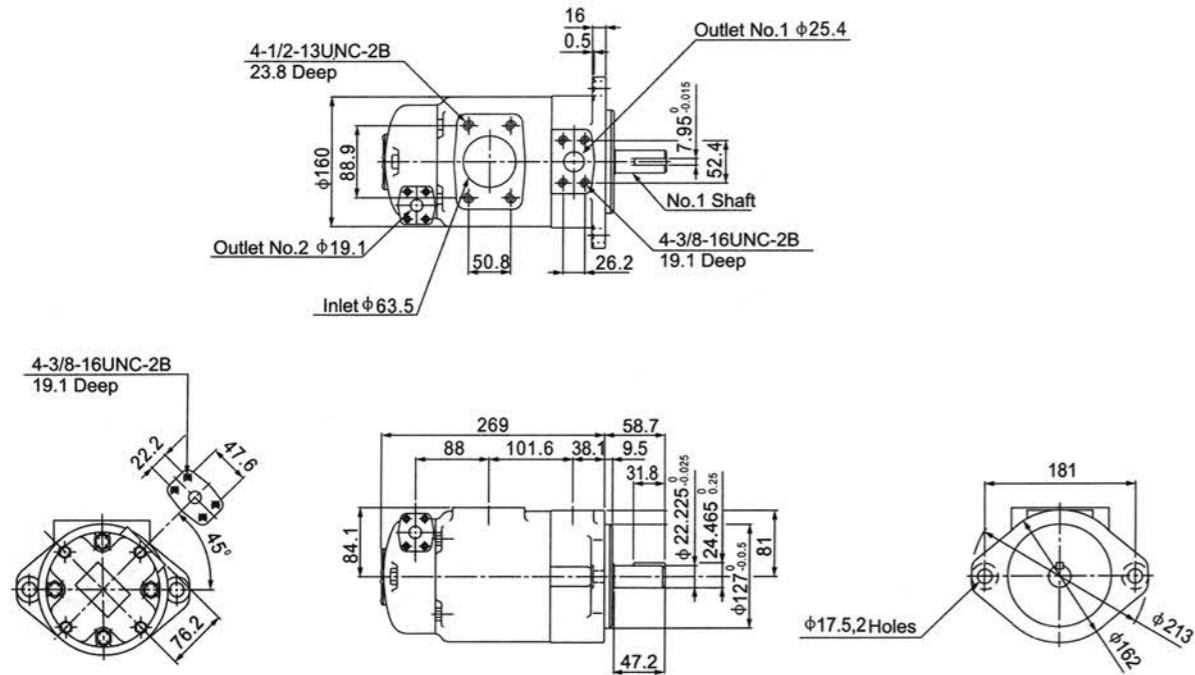
油口位置 Port positions		所有系列 (除SQP43外) All series (except SQP43)	SQP43系列 SQP43 series
第一出油口 在进油口对侧 No.1 outlet opposite inlet	AA	第二出油口在进油口逆时针转135° No.2 outlet 135° CCW from inlet	第二出油口在进油口对侧 No.2 outlet opposite inlet
	AB	第二出油口在进油口逆时针转45° No.2 outlet 45° CCW from inlet	第二出油口在进油口逆时针转90° No.2 outlet 90° CCW from inlet
	AC	第二出油口在进油口顺时针转45° No.2 outlet 45° CW from inlet	第二出油口在进油口同侧 No.2 outlet inline with inlet
	AD	第二出油口在进油口顺时针转135° No.2 outlet 135° CW from inlet	第二出油口在进油口顺时针转90° No.2 outlet 90° CW from inlet
第一出油口 从进油口逆时针转90° No.1 outlet 90° CCW from inlet	BA	第二出油口在进油口逆时针转135° No.2 outlet 135° CCW from inlet	第二出油口在进油口对侧 No.2 outlet opposite inlet
	BB	第二出油口在进油口逆时针转45° No.2 outlet 45° CCW from inlet	第二出油口在进油口逆时针转90° No.2 outlet 90° CCW from inlet
	BC	第二出油口在进油口顺时针转45° No.2 outlet 45° CW from inlet	第二出油口在进油口同侧 No.2 outlet inline with inlet
	BD	第二出油口在进油口顺时针转135° No.2 outlet 135° CW from inlet	第二出油口在进油口顺时针转90° No.2 outlet 90° CW from inlet
第一出油口 在进油口同侧 No.1 outlet inline with inlet	CA	第二出油口在进油口逆时针转135° No.2 outlet 135° CCW from inlet	第二出油口在进油口对侧 No.2 outlet opposite inlet
	CB	第二出油口在进油口逆时针转45° No.2 outlet 45° CCW from inlet	第二出油口在进油口逆时针转90° No.2 outlet 90° CCW from inlet
	CC	第二出油口在进油口顺时针转45° No.2 outlet 45° CW from inlet	第二出油口在进油口同侧 No.2 outlet inline with inlet
	CD	第二出油口在进油口顺时针转135° No.2 outlet 135° CW from inlet	第二出油口在进油口顺时针转90° No.2 outlet 90° CW from inlet
第一出油口 从进油口顺时针转90° No.1 outlet 90° CW from inlet	DA	第二出油口在进油口逆时针转135° No.2 outlet 135° CCW from inlet	第二出油口在进油口对侧 No.2 outlet opposite inlet
	DB	第二出油口在进油口逆时针转45° No.2 outlet 45° CCW from inlet	第二出油口在进油口逆时针转90° No.2 outlet 90° CCW from inlet
	DC	第二出油口在进油口顺时针转45° No.2 outlet 45° CW from inlet	第二出油口在进油口同侧 No.2 outlet inline with inlet
	DD	第二出油口在进油口顺时针转135° No.2 outlet 135° CW from inlet	第二出油口在进油口顺时针转90° No.2 outlet 90° CW from inlet

技术参数/Technical Data

系列号 Series	轴端泵 (第一出油口) Shaft end pump (No.1 outlet)			盖端泵 (第二出油口) Cover end pump (No.2 outlet)			最高转速 r/min Max. speed	最低转速 Min. speed r/min
	●排量代号 Displacement code	几何排量mL/r Geometric displacement	最大压力MPa Max. pressure	●排量代号 Displacement code	几何排量mL/r Geometric displacement	最大压力MPa Max. pressure		
SQP21	10	32.5	▲同SQP2 As SQP2	2	7.5	▲同SQP1 As SQP1	同SQP系列 单泵 As SQP Series single pumps	600
	12	38.3		3	10.2			
	14	43.3		4	12.8			
	15	46.7		5	16.7			
	17	52.5						
	19	59.2						
	21	65.0						
SQP31	25	79.2	▲同SQP3 As SQP3	6	19.2	▲同SQP1 As SQP1	同SQP系列 单泵 As SQP Series single pumps	600
	30	95.0		7	22.9			
	32	100		8	26.2			
	35	109		9	28.8			
	38	118						
	45	140						
SQP41	42	134	▲同SQP4 As SQP4	10	31.0	▲同SQP2 As SQP2	同SQP系列 单泵 As SQP Series single pumps	600
	45	140		11	35.0			
	50	156		12	37.9			
	57	178		14	44.2			
	60	189						
	66	207						
	75	237						
SQP32	21	66.7	▲同SQP3 As SQP3	10	32.5	▲同SQP2 As SQP2	同SQP系列 单泵 As SQP Series single pumps	600
	25	79.2		12	38.3			
	30	95.0		14	43.3			
	35	109		15	46.7			
	38	118						
SQP42	42	134	▲同SQP4 As SQP4	17	52.5	▲同SQP3 As SQP3	同SQP系列 单泵 As SQP Series single pumps	600
	45	140		19	59.2			
	50	156		21	65.0			
	57	178		25	79.2			
	60	189						
	66	207						
SQP43	75	237	▲同SQP4 As SQP4	21	66.7	▲同SQP3 As SQP3	同SQP系列 单泵 As SQP Series single pumps	600
	42	134		25	79.2			
	45	140		30	95.0			
	50	156		32	100			
	57	178		35	109			
	60	189		38	118			
	66	207		45	140			

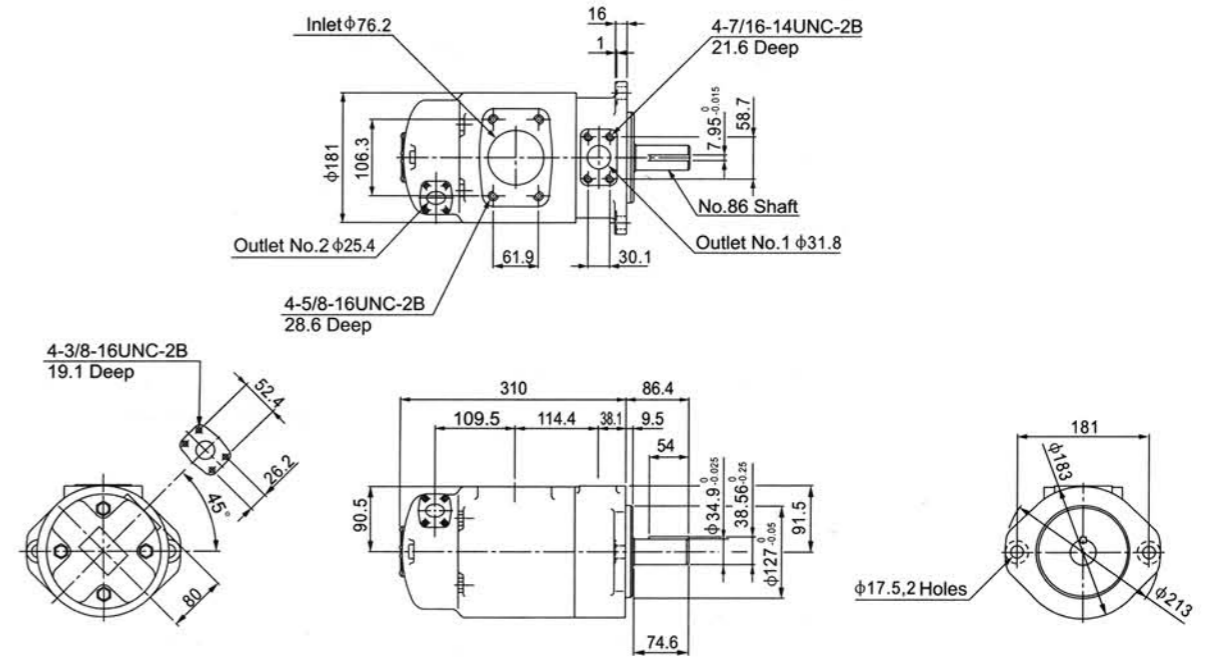
● 在1200r/min和0.69MPa(100psi)下的额定排量  
USgpm Flow(USgpm) at 1200r/min and 0.69MPa ▲ 0.5秒内, 允许超过最高压力10%的瞬时压力。  
Permit surpassing the top pressure 10% instantaneous pressure, within 0.5 second.

**SQP21** 法兰安装尺寸  
Flange Mounting



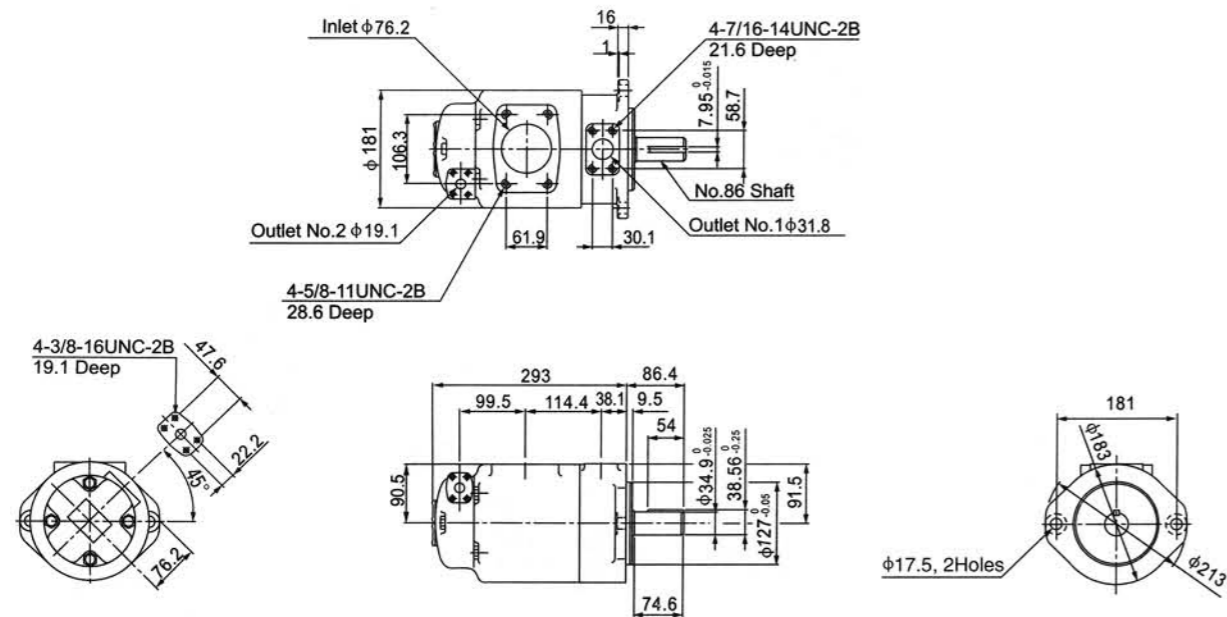
其它轴类尺寸见68页  
For other shaft dimensions, refer to page 68

**SQP32** 法兰安装尺寸  
Flange Mounting



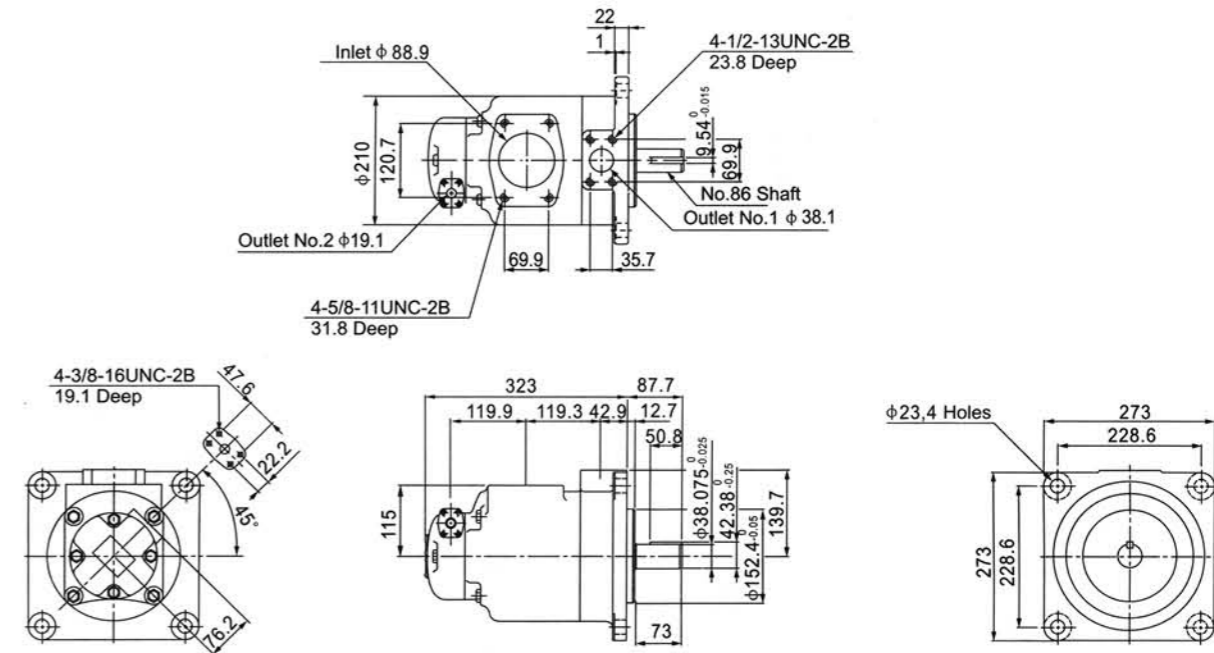
其它轴类尺寸见68页  
For other shaft dimensions, refer to page 68

**SQP31** 法兰安装尺寸  
Flange Mounting



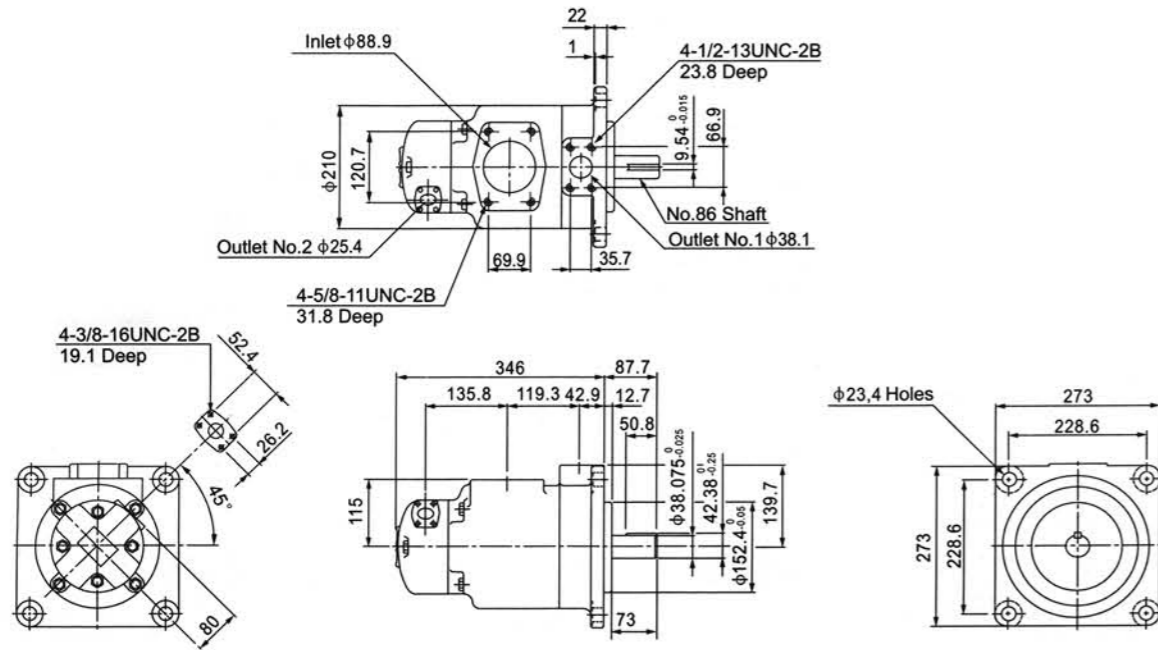
其它轴类尺寸见68页  
For other shaft dimensions, refer to page 68

**SQP41** 法兰安装尺寸  
Flange Mounting



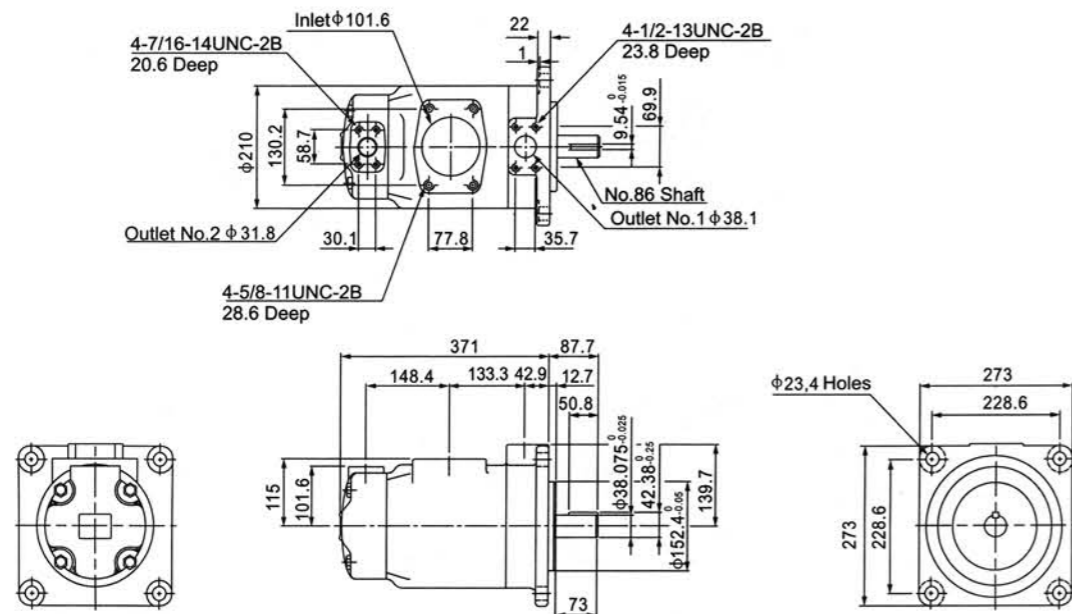
其它轴类尺寸见68页  
For other shaft dimensions, refer to page 68

**SQP42 法兰安装尺寸**  
Flange Mounting



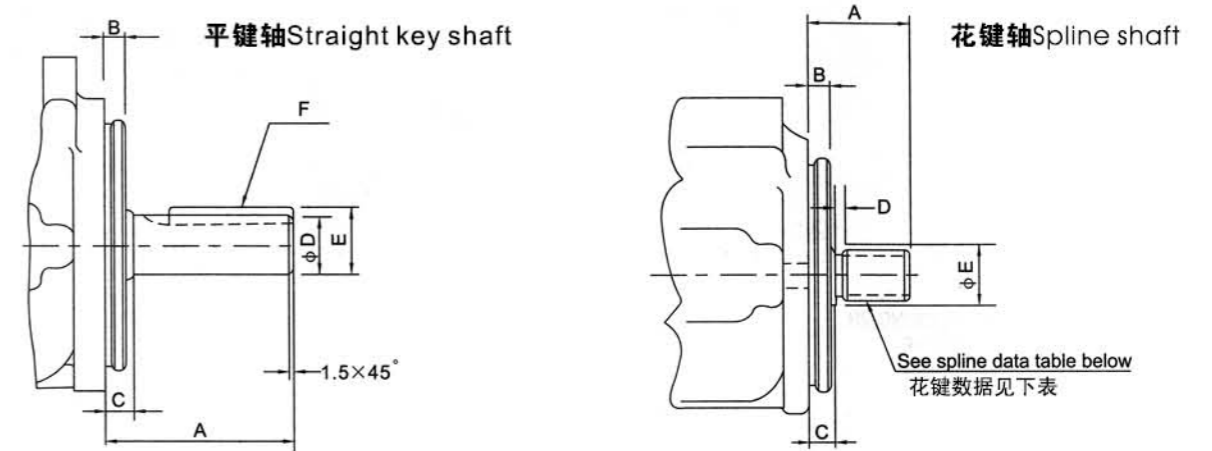
其它轴类尺寸见68页  
For other shaft dimensions, refer to page 68

**SQP43 法兰安装尺寸**  
Flange Mounting



其它轴类尺寸见68页  
For other shaft dimensions, refer to page 68

轴伸选择 / Shaft type



平键轴 / Straight Key shaft

型号 Model	轴伸代号 Shaft code	A	B	C	ΦD	E	F键宽*长 F key width x length
20V、20VQ、SQP1	1	59	9.53	12.1	22.23/22.20	24.5/24.4	4.76*32
25V、2520V 25VQ、2520VQ SQP2、SQP21	1	59	9.53	11.1	22.23/22.20	24.5/24.4	4.76*32
	86	78	9.53	11.1	25.37/25.35	28.3/28.1	6.36*50.8
35V、35※V 35VQ、35※VQ SQP3、SQP3※	1	73.2	9.53	11.1	31.75/31.70	35.36/35.10	7.94*38.1
	86	86	9.53	11.1	34.90/34.87	38.6/38.3	7.94*54
45V、45※V 45VQ、45※VQ SQP4、SQP4※	1	62	12.7	14.22	31.75/31.70	35.36/35.10	7.94*28.5
	86	87.4	12.7	14.22	38.07/38.05	42.4/42.1	9.54*50.8

花键轴 / Spline shaft

型号 Model	轴伸代号 Shaft code	A	B	C	D	E	花键数据(见下表) Spline data(see below)
20V、20VQ	151	41.1	9.53	11.1	3.9	27.8	A
25V、2520V 25VQ、2520VQ	11	44.5	9.53	11.1	3.9	27.8	A
35V、35※V 35VQ、35※VQ	11	58.7	9.53	11.1	6.35	35.1	C
45V、45※V 45VQ、45※VQ	11	61.9	12.7	14.3	9.7	39.6	C

花键数据表 (渐开线花键) / Spline Data Table (Involute spline)

花键数据标记 Spline Data Reference	齿数 Number of teeth	径节 Pitch	大径 Major Diameter	成形直径 Form Diameter	小径 Minor Diameter	平齿根配合 Minor Diameter
A	13	16/32	22.17/22.15	19.03	18.63/18.35	大径配合 Major diameter fit
C	14	12/24	31.70/31.67	27.2	26.99/26.64	