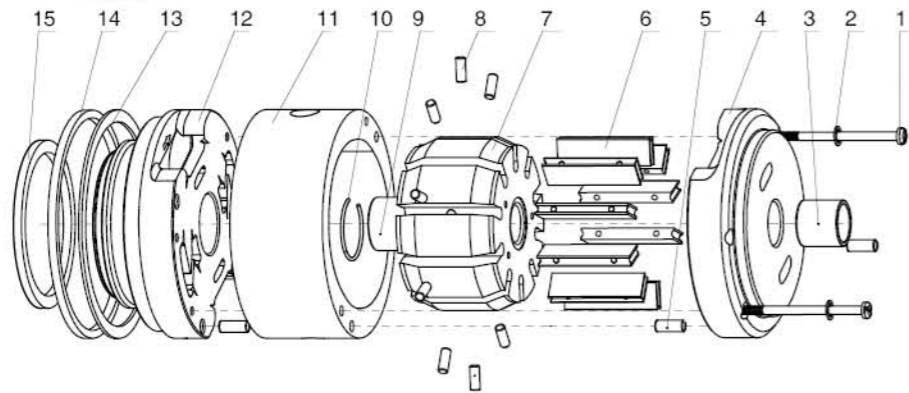
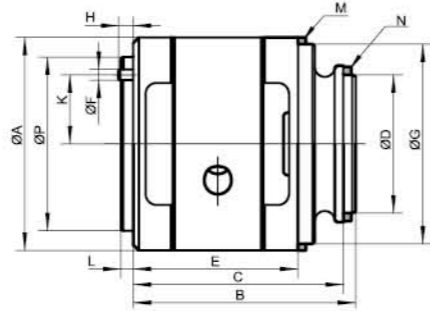


# T6, T7 系列泵芯 Series-cartridge

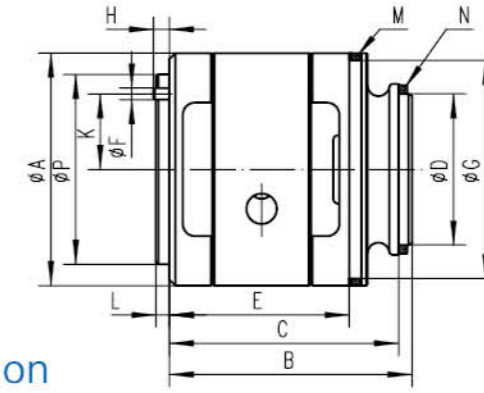


序号 NO.	名称 Part	数量 Qty	序号 NO.	名称 Part	数量 Qty	序号 NO.	名称 Part	数量 Qty
1	一字槽盘头螺钉 slotted pan head screw	2	6	叶片 kit vane	10 or 12	11	定子 cam ring	1
2	内齿锁紧垫圈 internal tooth seal kit	2	7	转子 rotor	1	12	压力侧板 outlet support plate	1
3	滑动轴承 sliding bearing	1	8	柱销 Pins	10 or 12	13	挡圈 retainer	1
4	侧板 inlet support plate	1	9	密封套 Seal bush	1	14	矩形密封圈 rectangle seal kit	1
5	销 Pin	3	10	孔用钢丝挡圈 Roundwire snap rings for hole	1	15	矩形密封圈 rectangle seal kit	1

## 型号说明/Model Designation

前泵芯/Front cartridge	T6DC	-045	R	1
泵芯名称 Cartridge name	系列号 Series	排量代号 Flow code	旋转方向 Rotation	密封等级 Sealing Level
单泵芯 Single pump cartridge 前泵芯 Front cartridge (双联泵或三联泵轴端泵芯) Front cartridge of double or treble pump	T7B(S), T7BB(S), T67CB, T67DB, T67EB, T67DBB, T67DCB, T67DDBS, T67EDB	B02, B03, B04, B05, B06, B07, B08, B10, B12, B15	从泵的轴端看 Viewed from shaft end of pump	1-S1, 丁腈橡胶 NBR Nitrile rubber
中泵芯 Middle cartridge (三联泵中间泵芯) Middle cartridge of treble pump	T7D(S), T7DB(S), T7ED(S), T67DC, T67ED	B14, B17, B20, B22, B24, B28, B31, B35, B38, B42	R-顺时针旋转 right hand for clockwise	5-S5, 氟橡胶 Fluororubber
后泵芯 Rear cartridge (双联泵或三联泵盖端泵芯) Rear cartridge of double or treble pump	T7E(S), T7EE(S), T7ED(S)	042, 045, 050, 052, 054, 057, 062, 066, 072, 085	L-逆时针旋转 left hand for counter-clockwise	
	T6C, T6CC, T67CB, T6DC, T6EC, T6DCC, T67DCB, T6DDCS, T6EDC(S)	003/B03, 005/B05, 006/B06, 008/B08, 010/B10, 012/B12, 014/B14, 017/B17, 020/B20, 022/B22, 025/B25, 028/B28, 031/B31		
	T6D, T6DC, T67DB, T6ED, T6DCC, T67DBB, T67DCB, T6DDCS, T67DDBS, T6EDC(S), T67EDB	014/B14, 017/B17, 020/B20, 024/B24, 028/B28, 031/B31, 035/B35, 038/B38, 042/B42, 045/B45, 050/B50, 061		
	T6E, T6EC, T67EB, T6ED, T6EDC(S), T67EDB	042, 045, 050, 052, 057, 062, 066, 072, 085		

003/B03 排量代号中0表示单转向型配流侧板结构, B表示双转向型配流侧板结构; 与相应系列、规格的T6单泵性能参数一致, 详见T6系列单泵的性能参数。  
In displacement code, 0 means single steering valve plate structure, B means the two steering valve plate structure. The data of relevant series ,model are unanimous.Please see T6 series-single pumps data.



## 型号说明/Model Designation

泵芯名称 Cartridge name	滑动轴承内径 Sliding bearing diameter	ØA	B	C	ØD	E	ØF	ØG	H	K	M(橡胶平垫圈 Rubber washer)	N(橡胶平垫圈 Rubber washer)	ØP	L
单泵芯/Single pump cartridge T6C, T7B(S)	Ø15.90													
前泵芯/Front cartridge T6CC, T67CB, T7BB(S)	无滑动轴承 No													
后泵芯/Rear cartridge T6CC, T7BB(S), T67CB, T6DCC, T67DBB, T67DCB, T6DDCS, T67DDBS, T6EDC(S), T67EDB	Ø19.05	95.25	99.4	93.9	61.9	72.1	4.8	89.1	4.8	43.7	88.5×3.53	60×3.53	77.7	5.5
后泵芯/Rear cartridge T6DC, T7DB(S), T7EB(S), T67DB, T67DC, T6EC, T67EC, T67EB	Ø22.225													
中泵芯/Middle cartridge T6DCC, T67DBB, T67DCB	无滑动轴承 No	95.25	83.4	77.3	52.6	-	4.8	-	4.8	43.7	89x2.4	52x2.4	77.7	5.5
单泵芯/Single pump cartridge T6D, T7D(S), 前泵芯/Front cartridge T6DCC, T67DBB, T67DCB	Ø22.225													
前泵芯/Front cartridge T6DC, T67DB, T7DB(S), T7DD(S), T67DC, T6DDCS, T67DDBS	无滑动轴承 No	123.0	132.4	125.8	71.9	102.2	6.4	108.1	8.0	41.2	107.5×3.53	69.5×3.53		无此台阶 No
后泵芯/Rear cartridge T6ED, T7DD(S) 中泵芯/Middle cartridge T6EDC(S), T67EDB	Ø28.6													
中泵芯/Middle cartridge T6DDCS, T67DDBS 后泵芯/Rear cartridge T7DD(S)	Ø22.225													
单泵芯/Single pump cartridge T6E, T7E(S)	Ø28.6													
前泵芯/Front cartridge T6ED, T6EC, T67EB, T7EB(S), T7ED(S), T7EE(S), T6EDC(S), T67EDB, T67EC	无滑动轴承 No	143.08	150.3	142.5	88.0	113.0	8.0	137.0	8.0	49.2	136.1×3.53	85.3×3.53		

泵芯名称 Cartridge name	转子内花键齿廓参数 Inside spline tooth outline parameter of rotor				
	齿数 Number of teeth	径节 Pitch	压力角 Pressure angle	大径 Major diameter	小径 Minor diameter
前泵芯/Front cartridge T6CC, T7BB(S), T67CB 中泵芯/Middle cartridge T6DCC, T67DBB, T67DCB	32	40/80	45°	21.41	19.9
单泵芯/Single pump cartridge T6C, T7B(S) 后泵芯/Rear cartridge T6CC, T7BB(S), T7DB(S), T7DD(S), T7EB(S), T67CB, T6DC, T67DB, T6EC, T67EB, T67DC, T67EC, T6DCC, T67DBB, T67DCB, T6DDCS, T67DDBS, T6EDC(S), T67EDB	28	40/80	45°	18.87	17.4
单泵芯/Single pump cartridge T6D 前泵芯/Front cartridge T6DC, T67DB, T6DCC, T67DBB, T67DCB, T6DDCS, T67DDBS, 中泵芯/Middle cartridge T6EDC(S), T67EDB 后泵芯/Rear cartridge T6ED, T7ED(S), T7EE(S)	25	24/48	45°	28.19	25.8
中泵芯/Middle cartridge T6DDCS, T6DDBS	20	24/48	45°	22.89	20.5
单泵芯/Single pump cartridge T6E, T7E(S) 前泵芯/Front cartridge T6EC, T67EB, T6ED, T6EDC(S), T67EDB	34	24/48	45°	37.72	35.4