

T7EE, T7EES 系列通轴式叶片泵 Series-vane Pumps

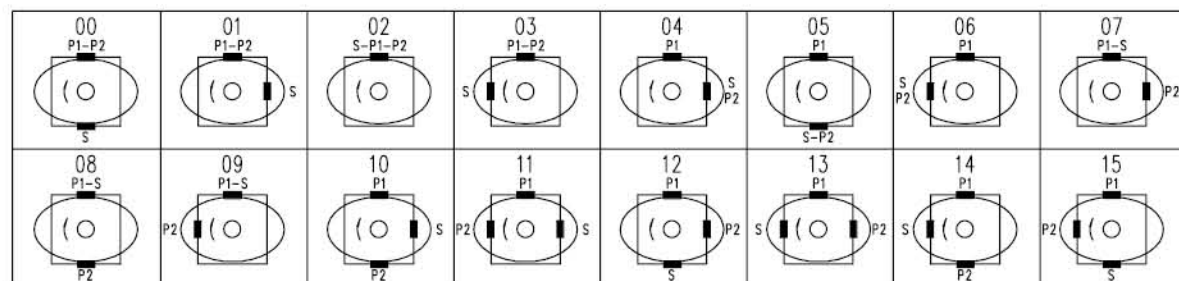
双联泵排量最高可达到537.4mL/r，尾端根据需求可选择驱动叶片泵、齿轮泵、柱塞泵。

The maximum displacement of the double pump can reach 537.4mL/r, and the rear end can choose to drive vane pump, gear pump, and piston pump according to requirements.

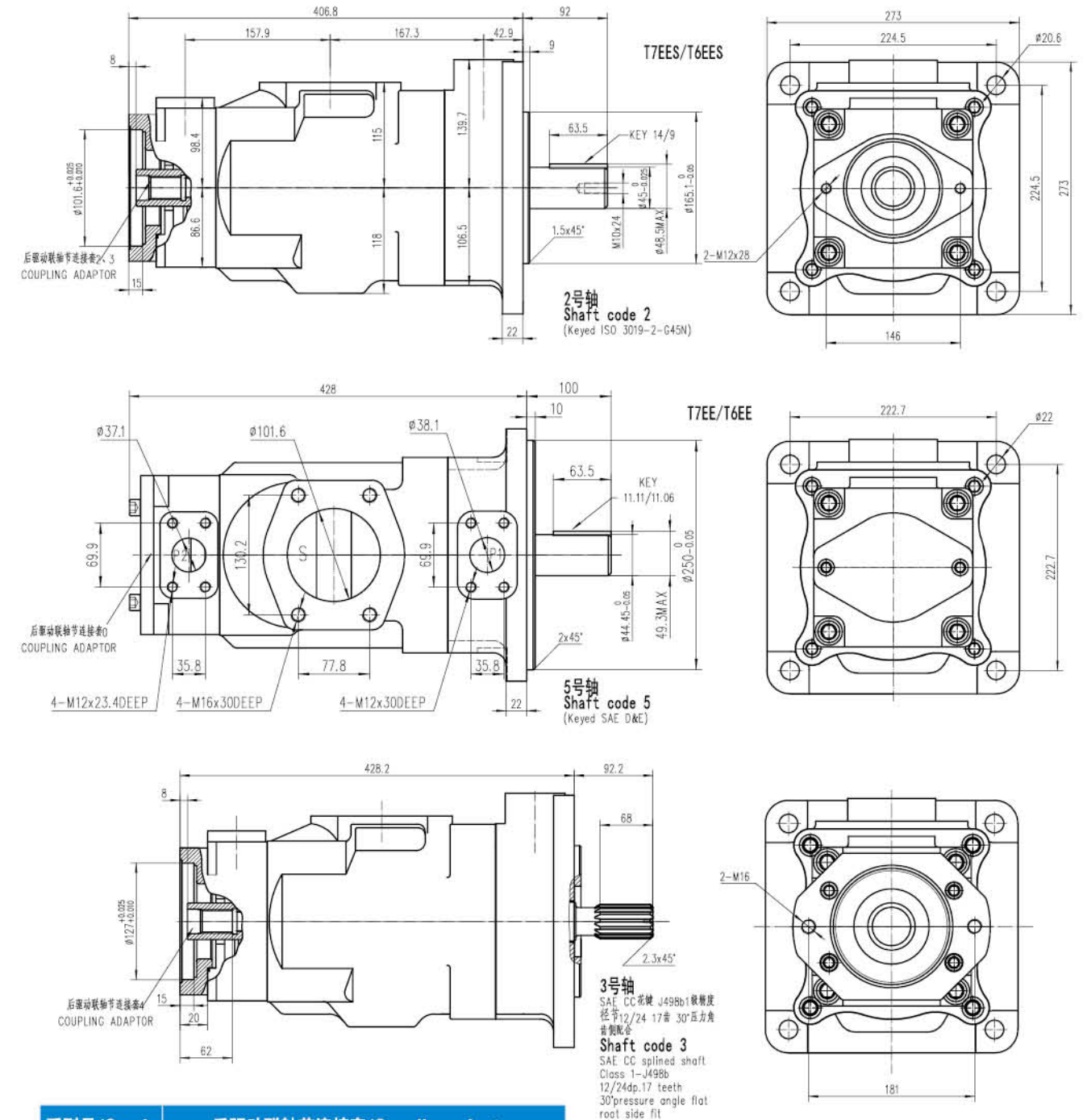


T7EE	-62	-62	-2	R	00	-A	1	0	M0
系列号 Series	轴端泵排量代号 Flow-shaft end Pump	盖端泵排量代号 Flow-cover end Pump	轴伸形式 Shaft type	旋转方向 Rotation	油口位置 Port Positions	设计号 Design number	密封等级 Sealing Level	后驱动联轴 节连接套 Coupling adaptor	油口尺寸 Port dimensions
T7EE/T6EE ISO 4螺钉安装 法兰250 ISO 4 bolts 3019-2 Mounting flange 250 B4 HW	042, 045, 050, 052, 057, 062, 066, 072, 085	042, 045, 050, 052, 057, 062, 066, 072, 085	2=平键轴 2=keyed (ISO 3019- 2-G45N)	从泵的轴端看 Viewed from shaft end of pump R-顺时针旋转 right hand for clockwise	见下图 see picture below	A	1-S1, 丁腈橡胶 NBR Nitrile rubber	0= none 无 2= SAE B (孔径101.6花 键套13T)	M0 见安装连接 尺寸
T7EES/T6EES SAE E 4螺钉安 装法兰165.1 SAE E 4 bolts J744 mounting flange			5=平键轴 5=keyed (SAE D & E) 3=花键轴 3= splined (SAE CC) 17 teeth	L-逆时针旋转 left hand for counter- clockwise			5-S5, 氟橡胶 Fluororubber	3= SAE BB (孔径101.6花 键套15T) 4= SAE C (孔径127花键 套14T只适用3 号轴)	See installation dimensions

油口位置(从泵的轴端看) Port positions(Viewed from shaft end of pump)



T7EE, T7EES连接尺寸图/Installation Dimensions



系列号/Code	后驱动联轴节连接套/Coupling adaptor
0	无 No
2	SAE B - 13 teeth - pitch 16/32 13齿 径节16/32 Major dia (min) 22.225 Minor dia (min.) 19.126
3	SAE BB - 15 teeth - Pitch 16/32 15齿 径节 16/32 Major dia. (min.) 25.400 - Minor dia. (min.) 22.268
4	SAE C - 14 teeth - Pitch 12/24 14齿 径节 12/24 Major dia. (min.) 31.750 - Minor dia. (min.) 27.589