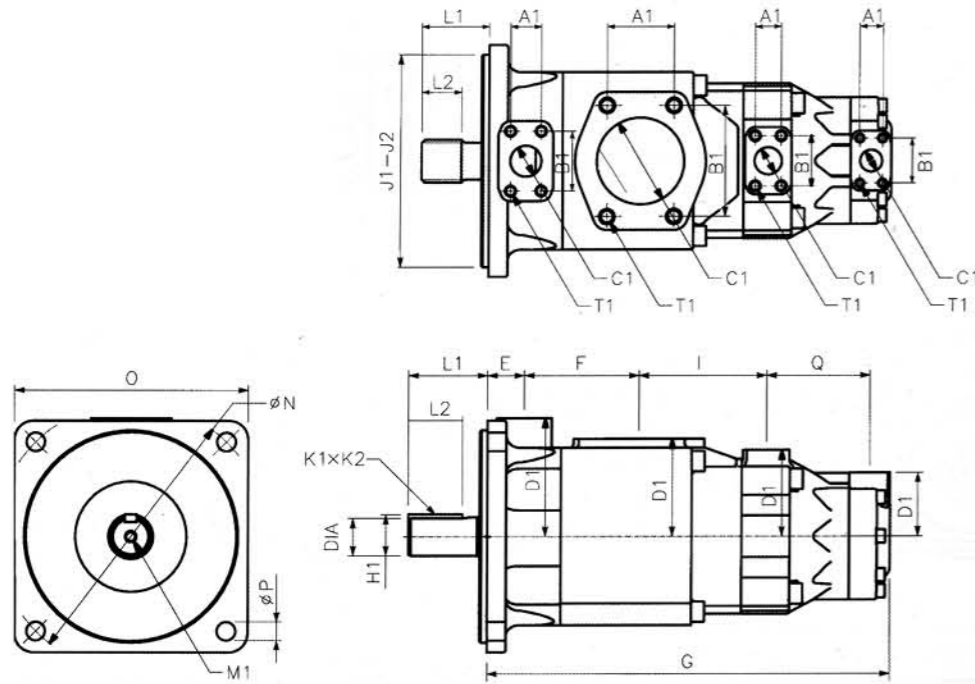


### 安装连接尺寸/Installation Dimensions



	T6EDC	T7EEC
E	42.9	E 42.9
F	133.3	F 167.3
G	468.0	G 516.8
I	148.4	I 162.2
J1	250h8	J1 250h8
J2		J2 250h8
φN	315.0	φN 315.0
O	273.0	O 273.0
φP	22.0	φP 22.0
Q	120.0	Q 120.0

	T6EDCS T67EDB(S)	T7EECS
E	42.9	E 42.9
F	133.3	F 167.3
G	468.0	G 516.8
I	148.4	I 162.2
J1	165.10	J1 165.10
J2	165.05	J2 165.05
φN	315.0	φN 317.5
O	273.0	O 273.0
φP	20.8	φP 20.8
Q	120.0	Q 120.0

### 轴伸 Shaft extension

型号Model	轴伸代号 Shaft code	最大扭矩 Max torque (N.m)	L1	L2	DIA	K1xK2	H1	M1
T67EDBS, T6EDC T6EDCS	1	●	92.0	63.0	45h7	14h7x9	48.5	M12x24
T6EDCS	2	●	100.0	63.5	44.45/44.40	11.11x11.06	49.3	1/2-UNCx24
	3	●	75.0	48.8	SAE J498b 1级 class, 径节Diametral pitch8/16, 13T			-
T7EEC(S)	2	●	92.0	63.0	45h7	14h7x9	48.5	M12x24

● 能在最大流量, 最高压力下工作。  
work at maximum flow and pressure.

油口/Oil port	法兰 Flange	安装尺寸/Install Dimensions(mm)							
		A1	B1	φC1	D1	T1口螺纹Thread			
T67EDBS	P1	1-1/2"	F12	35.7	69.9	37.1	139.7	1/2"-13UNCx30.0	
	P2	1-1/4"	F10	30.2	58.7	31.8	101.6	7/16"-14UNCx24.0	
	P3	3/4"	F06	22.2	47.6	19.0	74.7	3/8"-16UNCx19.0	
	S	4"	F32	77.8	130.2	101.6	115.0	5/8"-11UNCx30.0	
T6EDC T6EDCS	P1	1-1/2"	F12	35.7	69.9	37.1	139.7	1/2"-13UNCx30.0	
	P2	1-1/4"	F10	30.2	58.7	31.8	101.6	7/16"-14UNCx24.0	
	P3	01: 3/4"	F06	22.2	47.6	19.0	74.7	3/8"-16UNCx19.0	
	P3	00: 1"	F08	26.2	52.4	25.4	74.7	3/8"-16UNCx19.0	
S		4"	F32	77.8	130.2	101.6	115.0	5/8"-11UNCx30.0	
	T7EEC(S)	P1	1-1/2"	F12	35.7	69.9	37.1	139.7	M12x30
		P2	1-1/2"	F12	35.7	69.9	37.1	98.6	M12x30
		P3	1"	F08	26.2	52.4	25.4	74.7	M10x19
S		4"	F32	77.8	130.2	101.6	115.0	M16x30	

## T6GC, T7GB, T6GCC, T67GCB, T7GBB 系列柱销式叶片泵 Series-pin Vane Pumps

适用于工程机械特别是行走机械的高压高性能柱销式叶片泵。

主要特点为:

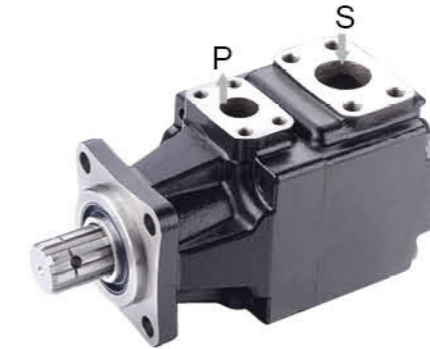
- 1、改进的轴承结构及矩形花键轴设计, 可以由发动机或变速箱直接驱动。
- 2、双油封结构, 适应行走机械的恶劣环境。
- 3、采用插装式结构, 泵芯与T6C及T7B叶片泵泵芯完全互换, 维修方便。

The high pressure and high performance pin type vane pump is applicable to engineering machinery, especially to mobile machinery.

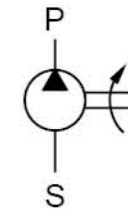
The main features:

- 1.The improved bearing structure and rectangle spline shaft design can be driven by motor or gearbox directly.
- 2.Double shaft seal structure, is fit for bad situations of mobile machinery.
- 3.Adopt insert structure, the cartridge kit of T6C and T7B can be interchangeable completely, very convenient for repair.

## T6GC, T7GB 系列单泵 Series-single pumps



液压符号  
Hydraulic Sign



### 型号说明/Model Designation

T6GC	-B10	-6	R	00	-A	1	01
系列号 Series	排量代号 Flow code	轴伸形式 Shaft type	旋转方向 Rotation	出口位置 Outlet Positions	设计号 Design number	密封等级 Sealing Level	油口尺寸 Port dimensions
T6GC	B03, B05, B06, B08, B10, B12, B14, B17, B20, B22, B25, B28, B31	见轴伸尺寸 See size of shaft	从泵的轴端看 Viewed from shaft end of pump R-顺时针旋转 right hand for clockwise L-逆时针旋转 left hand for counter-clockwise	(从泵的轴端看) (Viewed from shaft end of pump) 00-进油口对面 Opposite inlet port 01-进油口同侧 Inline with inlet 02-从进油口逆时针90° 90° CCW from inlet 03-从进油口顺时针90° 90° CW from inlet	A	1-S1, 丁腈橡胶 NBR Nitrile rubber 5-S5, 氟橡胶 Fluororubber	00: 法兰螺纹 Flange 1"BSPP 01: SAE法兰四螺孔 Flange SAE 4 bolts(UNC) 见安装连接尺寸 See installation dimensions
T7GB	B02, B03, B04, B05, B06, B07, B08, B10, B12, B15, B20						

**B03** 排量代号中B表示双向型配流板结构; 与相应系列、规格的T6单泵性能参数一致, 详见T6系列单泵的性能参数  
B means the two steering valve plate structure.  
The data of relevant series, model are unanimous. Please see T6 series-single pumps data.

